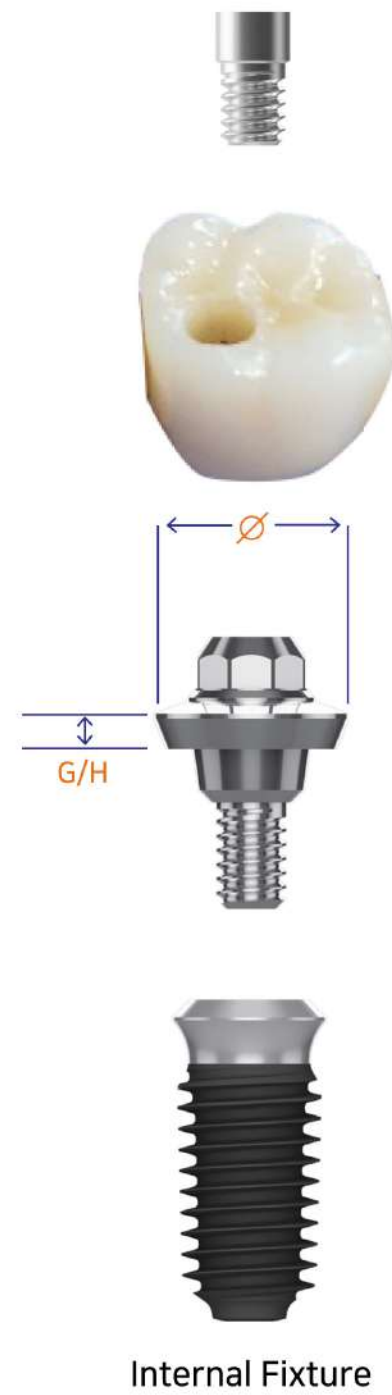


Tissue Level Stable Line

∅	G/H
4.5	1.0
5.5	2.0
6.5	3.0
	4.0



Internal Fixture

- **Stable fit abutment**
- Cementless
- Screw-retained
- Prosthesis
- Easy contract & Remove



더 정확하게!
더 밀착되게!
더 안정되게!

이제 Stable Line Digital Zirconia Crown으로
Cementless System의 새로운 경험을 해보세요!

- ☑ 염증발생의 최소화
- ☑ 탈장착의 용이
- ☑ 수리·제거의 편리성
- ☑ 치은연화(Subgingival Margin) 가공이 가능해서 염증과 치은퇴축을 줄여준다.



ID Indicate different!
Dental

41, Kukchaebosang-ro 159 gil Dong-gu Daegu, Korea
TEL +82-53-381-9155 | FAX +82-53-215-2255 | www.iddental4u.com

STABLE LINE®

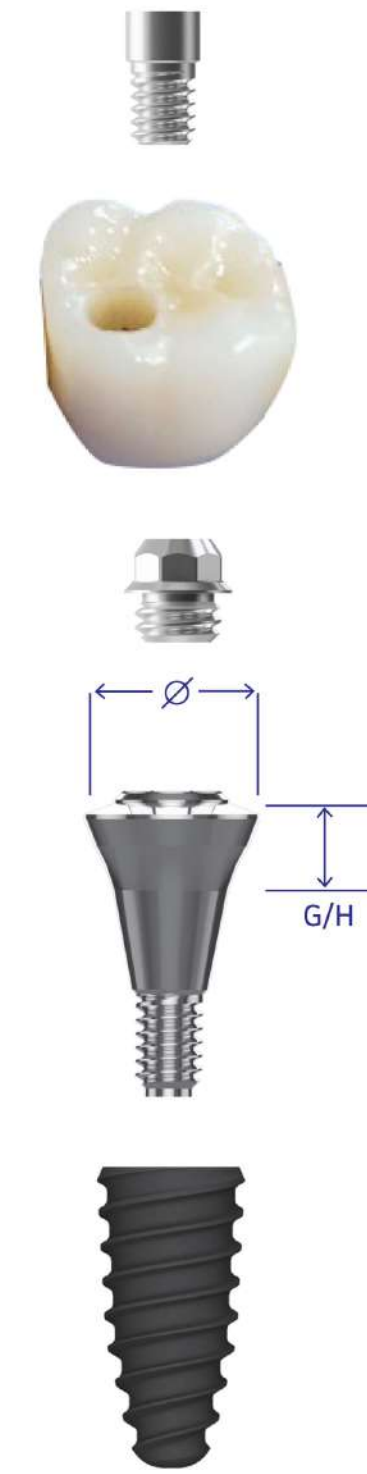
스태이블 라인®

Digital Progressive Prosthetic System



Bone Level Stable Line

∅	G/H
4.0	1.0
4.5	2.0
5.5	3.0
6.5	4.0
	5.0
	6.0



Submerged Fixture

Stable & Safety

- Tiss Level Platform type
- Various multiple gingival(Cff: 1.0,2.0,3.0,4.0,5.0,6.0)
- Tissue gingival control free peri-implantitis
- Multiple prosthesis
- Cementless-screw
- Cementation
- SCRP[Screw,Cement,Retained,Prosthesis]
- HYbrid multi unit prosthesis
- Over denture[Implant overdenture system]
- Bar attachment
- Magnetic attachment
- Ball attachment
- Locking attachment